

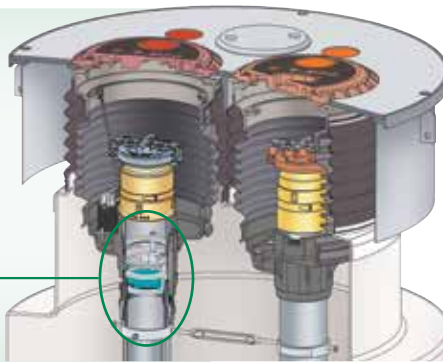


FSA400



61JSK

See page 57 for ordering specifications on the FSA-400 & 61JSK



OPW 400 and 500 Series Multi-Port Spill Containment Manholes

OPW Multi-Port Spill Containment Manholes provide spill containment for underground storage tank (UST) fill pipes and vapor recovery risers in a completely integrated single manhole package. Multi-ports are installed over the top of tank sumps to preserve future access to the tank top and to facilitate containment of tank bung fittings. OPW offers a vast array of standard multi-port configurations and options, in addition to an almost unlimited ability to provide custom solutions for virtually any spill containment application.

Model Descriptions

- ◆ **OPW 411 Series** – features a flush-mounted manhole lid and raised dual dam and groove spill container rings, with P2105 Buckets using OPW 1-2105 Style Slip-On 5-gallon containers. Base is standard 1" offset from center and can be used for 12", 14", 16" or wider riser spacing. Optional 1P-2105 Hand Pump available.
- ◆ **OPW 500 Series (511 / 521) EVR Multi-Port** – features a flush-mounted manhole lid and raised dual dam and groove spill container ring, with P511-EVR Buckets using OPW 1-2100 Style Thread-On Spill Containers. All Fill Ports in these spill containers feature an enhanced 1DK-2100-EVR vapor tight drain valve. The Vapor Return Spill Container features a permanent plug in the drain port as per EVR requirements. EVR

Multi-Port Thread-On Spill containers are available in Composite or Cast Iron bases with 5 gallon buckets. Drain Valve Spill Bucket & Plug Spill Bucket standard on Dual Ports, Drain Valve Spill Bucket standard on Single Port.

- ◆ **Required for EVR APPLICATIONS** – the FSA-400 Threaded Riser Face Seal Adaptor is installed on the fill pipe below the spill container to provide a true sealing for the drop tube flange on the 7150 overflow prevention valve. The 6150 and/or 7150 series valve is installed in the base of the OPW EVR spill container with the patent pending 61JSK jack screw device. This configuration allows liquid in the spill container to be drained directly into the drop tube, thereby isolating the drain valve from the tank ullage, eliminating a notorious leak point in previous systems.

- ◆ **Spill Container Cover Options** – standard spill container options include the patented OPW dam and groove raintight (RT) design and the watertight Sealable Cover (SC) "plumber's plug" design. The raintight cover features a finger-grip lifting facility and an integral seal. The sealable cover features a cam-operated mechanism that expands the seal against the vertical wall of the mounting ring. Both of these water-shedding covers are protected by raised mounting rings.
- ◆ **Fastener Options** – two types of fasteners are available to secure the manhole lid and monitoring port to mounting rings. Standard are 5/16"-18 hex head bolts. Optional are OPW Roto-Lock Fasteners. The OPW Roto-Lock system enables a secure, watertight connection without the need to locate threaded bolt holes on the mounting ring.
- ◆ **Powder Coated Rings & Covers** – available upon request.
- ◆ **Replacement Covers** – see Part Number Configurations at www.opwglobal.com.

Features

- ◆ **Contractor-Friendly Installation** – studded mounting ring simply bolts together inside the spill containment bucket. No need to align bolt holes in the manhole cover.
- ◆ **Raintight Service** – nitrile gaskets on the manhole and spill bucket mounting rings help prevent contamination of the sump area from surface water intrusion.
- ◆ **Highway 20 Load Rating** – the rugged diamond plate steel manhole covers, as well as the ductile iron (RT) or aluminum (SC) spill container covers meet H20 Load Rating requirements.
- ◆ **Spill Container and Manhole Positive I.D. System** – special recesses cast into spill container covers allow product I.D. tags to be attached to the lids. Matching bucket tags can be affixed to the inside of the spill container to prevent covers from getting switched.
- ◆ **Fill/Vapor Ports** – configurations are available to accommodate a single fill riser, dual ports for both a fill and vapor riser, and triple and quad ports for multiple fill and vapor risers. Ports can be supplied with or without containment buckets.
- ◆ **Port Configurations** – standard port locations match the popular riser spacings (16" or 24") and bung configurations on underground storage tanks. Custom port locations are easily accommodated. For riser spacings less than 16", old style buckets must be used.
- ◆ **CARB Certified** – 500 Series CARB EVR Approved Executive Order #VR-102
- ◆ **Manhole Cover Sizes** – standard bolt-down manhole cover diameters of 30" (76 cm), 37" (94 cm), 42" (107 cm) and 48" (122 cm) allow ample access to the sump area. Heavy-duty reinforced lid options are also available upon request.

Listings and Certifications



Look for this label for authentic OPW EVR Approved products.

CARB EVR Executive Order #VR-102
NYCFD Certified (6571 Series) #5053
Florida EQ-145

OPW Multi-Port Spill Containment Ordering Specifications



Bolt Down Model Number

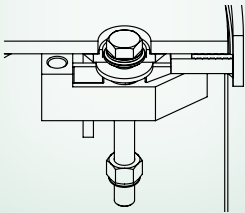
- 511EVR - HDPE Bellows, Thread-On Composite Base, Bolt-Down
- 561EVR - HDPE Bellows, Thread-On Cast Iron Base, Bolt-Down
- 411- HDPE Bellows, Slip-On Composite Base

Roto-Lock Model Number

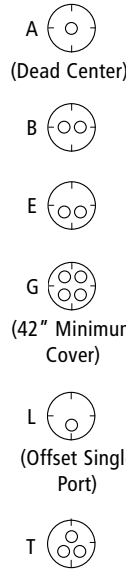
- 521EVR - HDPE Bellows, Thread-On Composite Base, Roto-Lock
- 571EVR - HDPE Bellows, Thread-On Cast Iron Base, Roto-Lock
- 421- HDPE Bellows, Slip-On Composite Base with Roto-Lock Fasteners

Optional Roto-Lock Fastener System

The OPW Roto-Lock system enables a secure raintight connection without the need to locate threaded bolt holes on the mounting ring.



Fill/Vapor Port Configurations



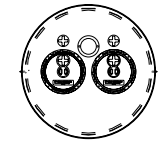
NOTE: 43 or 49 style Gauge Port must be used if a water shroud is to be used with L style

Replacement / Retrofit Manhole RP* - (No Ring / Skirt)

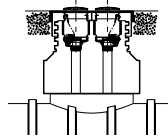
*RP cover orders must be accompanied by an up-to-date OPW field survey form.

Riser Spacing

- 00 - Single Port (A Configurations)
- 16 - 16" Centers
- 24 - 24" Centers (42" Minimum Cover)
- Old Style - 14" Centers Available



Riser Spacing

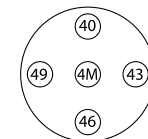


Dimensions

O.D.		I.D.		Thickness	
in.	cm	in.	cm	in.	cm
30	76	26 ⁵ / ₈	68	³ / ₈	0.952
37	94	34 ⁵ / ₈	88	³ / ₈	0.952
42	107	39 ⁵ / ₈	101	¹ / ₂	1.27
48	122	44 ⁵ / ₈	113	¹ / ₂	1.27

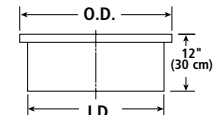
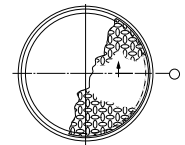
Gauge Port Location

- 00 - No Gauge Port
- 40 - Port at 12 o'clock
- 43 - Port at 3 o'clock
- 46 - Port at 6 o'clock
- 49 - Port at 9 o'clock
- 4M - Port in Center
- 7X - Flush Mount



Port Location Example

NOTE: 3M Style gauge port must be used with port in the center of "G" Style



EVR Multi-Ports

Thread-On Spill Containers are available in composite or cast iron bases with either 5 or 15-gallon buckets. (1) Drain Valve Spill Bucket & (1) Plug Spill Bucket standard on Dual Ports. Drain Valve Spill Bucket standard on Single Port.

Optional Accessories

Part #	Description
6511-RB16	12" to 18" Riser Spacer
6511-RB24	20" to 26" Riser Spacer
H15144M	4" NPT Nipple, 4" Length
H12806M	4" NPT Nipple, 5" Length
VPN4X7	4" NPT Nipple, 7" Length
H15271M	4" NPT Nipple, 8" Length
H15268M	4" NPT Nipple, 10" Length
TC-400	4" Torque Cap for 4" Nipples
6521-XAR37	36", 37" OR 38" Roto-Lock Adaptor Ring to convert from Bolt Down
6521-XAR42	39" OR 42" Roto-Lock Adaptor to convert from Bolt Down
6521-XAR48	48" OR 52" Roto-Lock Adaptor to convert from Bolt Down




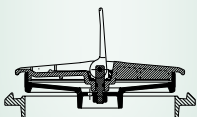
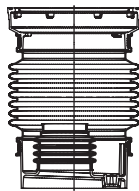
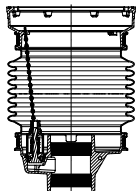
6511-RB16 Riser Spacer

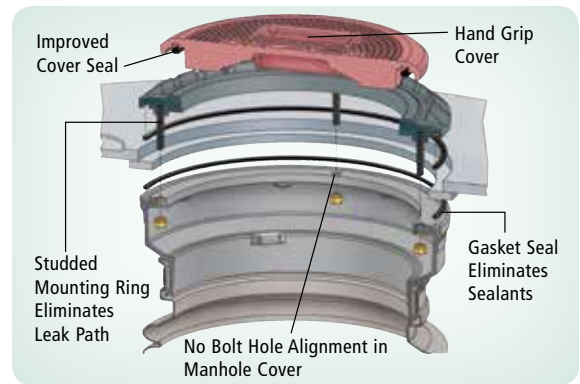


Torque Cap



4" Nipple

<p>Spill Container Cover Style**</p> <p>RT - Raintight SC - Sealable Cover 00 - No Ring or Cover</p>  <p>RT - Raintight</p>  <p>SC - Sealable Cover (Lid in open position)</p> <p>** Raintight cover is standard</p>	<p>Spill Container Capacity***</p> <p>00 - No Containment 05 - 5-Gallon 15 - 15-Gallon *** 5-Gallon bucket is standard</p>  <p>411-5-gallon (Slip-On)</p>  <p>511-5-gallon (Thread-On)</p>	<p># Of Ports With Containment</p> <p>0 1 2 3 4</p>	<p>Powder Coated Manhole Covers</p> <p>R - (1) Red (1) Orange W - (1) White (1) Orange Y - (1) Yellow</p>
---	---	--	--



Current Replacement Parts

For New 500 Series EVR Multi-Ports 6511/6521, 6561/571 made post 11/2003

Part #	Description
P711-EVRDV	Replacement 5-Gallon Bucket, w/ Drain Valve
P711-EVRPL	Replacement 5-Gallon Bucket, w/Plug (Vapor)
P761C-EVRDV	Replacement 5-Gallon Bucket, C.I. Base w/Drain Valve
P761C-EVRPL	Replacement 5-Gallon Bucket, C.I.
P411-EVRPL	Replacement 5-Gallon Slip-On Bucket
P511-15-EVRDV	Replacement 15-Gallon Bucket, Comp Base, W/ Drain Valve
C05170M	Gasket, Spill Bucket & Mounting Ring
H15187M	Replacement Seal for New Rain Tight Cover

Note: New P711 & P761 EVR buckets will only work with New "EVR" Multi-Port covers. (made post 11/2003)

See page 53 for replacement rings and covers part numbers.

Old Style Replacement Parts

311/411/511/521 Series Multi-Ports

Note: 511/521 parts are for Multi-Ports made prior to Nov. 2003

Part #	Description
1DK-2100-EVR	511/521 Series Drain Valve
H13931M	Replacement Seal for SC Cover
P110-37G	34"-37" Manhole Gasket
P110-42G	42" Manhole Gasket
P110-48G	48" Manhole Gasket
PROTO-LOCK	(1) Roto-Lock
P40-ROTOLID	Replacement 40 Style Gauge Port Roto-Lock Lid
H15240M	Replacement Gasket for 40 Style Gauge Port
P511-BK	Steel Cover Bolt & Gasket Kit, (4 each) for complete cover
P-30L	Replacement 30 Style Bolt Down Gauge Port Lid
P311-G	Bucket Top Flange Gasket
P511BUCKETBOLT	Spill Bucket RT Ring Kit (4) Bolts, Washers & Gaskets
H15238M	Replacement Gasket, 30 Style (Bolt Down)
1-2100-DSH	5 Gallon Fill Bucket with Composite Base & Drain Valve
1-2100-PSH	5 Gallon Vapor Bucket with Composite Base & Plug

Part #	Description
411 P2105BUCKET	411 Replacement Bucket 5-Gallon
Parts 1P-2105	H& Pump Kit for 411/P2105
P111-WTL	Replacement Cover (RT)
P111WTL-S	Replacement Seal for RT Cover
P311-1R	Replacement RT Ring
P311-14	RT Ring for 14" Riser
P511YBUCKET	Replacement Waste Oil Bucket
P511-DEVRBUCKET	Replacement 5-Gallon Bucket with Drain Valve
P511-G14	Bucket Top Flange Gasket for Notched Gasket Set
P511-PEVRBUCKET	Replacement 5-Gallon Bucket with Plug
P511C-DEVRBUCKET	Replacement 5-Gallon Bucket With C.I. Base & Drain Valve
511/521 P511C-PEVRBUCKET	Replacement 5-Gallon Bucket With C.I. Base & Plug
Parts P511-DEVRB-14	Replacement 5-Gallon Bucket with Drain Valve 12" & 14" Risers
P511-PEVRB-14	Replacement 5-Gallon Bucket with Plug - 12" & 14" Risers
P511C-DEVRB-14	Replacement 5-Gallon Bucket W/ C.I. Base, Drain Valve for 12" & 14" Risers
P511C-PEVRB-14	Replacement 5-Gallon Bucket W/ C.I. Base, Plug, for 12" & 14" Risers
P521-GKIT	521 Multi-Port Complete Gasket Kit
P511-GKIT	511 Multi-Port Complete Gasket Kit

See page 73 for additional cover options.

Multi-Port Manhole Water Shroud System Option

The new OPW Multi-Port Manhole Water Shroud System (MPWS) is designed to completely isolate surface water and condensation from the tank sump. The MPWS features an injection-molded fiberglass Water Shroud lid that mates to a standard tank sump top hat reducer. This new bolt down design allows even compression to facilitate water-tight sump access. Shroud Boots isolate the spill container buckets using stainless steel band clamps, which provide a tight seal between the water shroud top hat and the underside of the spill container mounting rings. A 6" Sump Inspection Port is provided on each FRP Cover, allowing full inspection access through the Multi-Port Gauge Port. The OPW Water Shroud system is available in 33" and 36" models. The MPWS Water Shroud is sold separately.



Rubber Shroud Cap



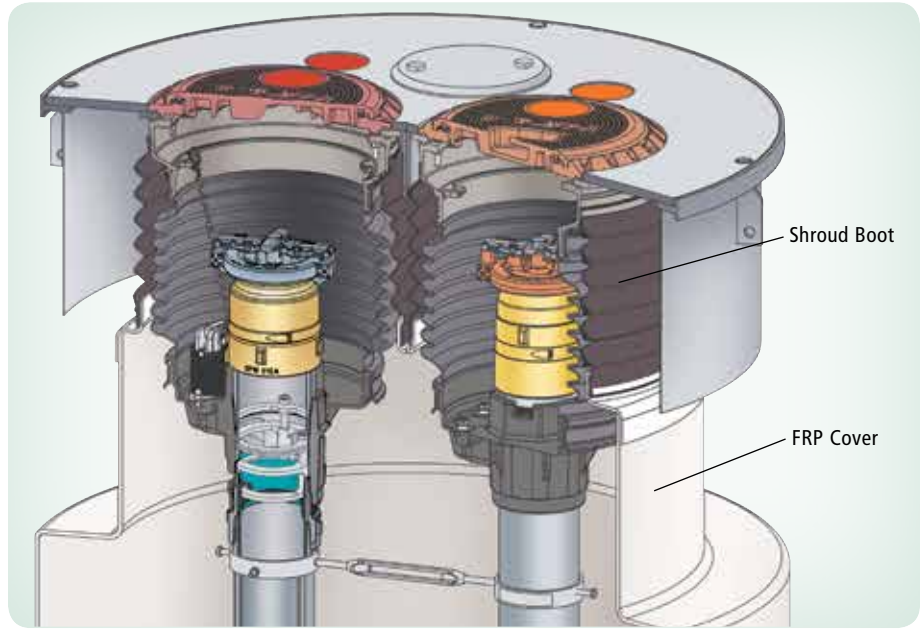
Shroud Boots Vinyl Plastisol



Sump Inspection Port (SIP) – Clear ABS Construction Inspection Port



FRP Cover Injection Molded Fiberglass Cover



Ordering Specifications

Part #	Description
MPWS-33	33" FRP Cover with (2) 5-gallon Water Shroud Boots & Clamps
MPWS-33BD	33" Bolt Down Water Shroud
MPWS-33BDD	33" Bolt Down Water Shroud for Diesel
MPWS-36	36" FRP Cover with (2) 5-gallon Water Shroud Boots & Clamps
MPWS-39BD	39" Bolt Down Water Shroud

Replacement Parts

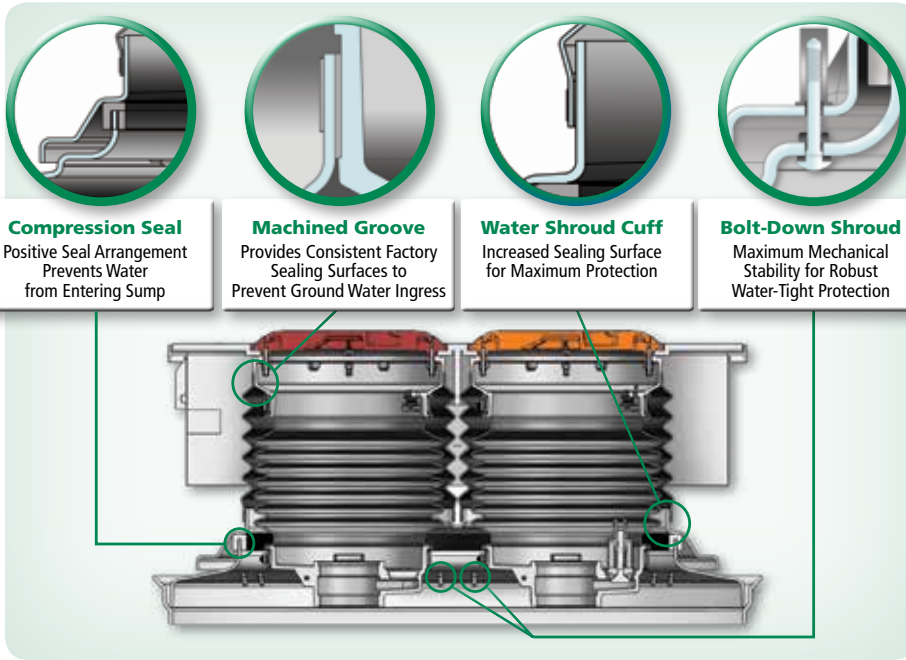
Part #	Description
C05223M	Shroud Boot Cap to Isolate One FRP Cover Port
D02571M	33" FRP Replacement Cover
D02586M	36" FRP Replacement Cover
D02575M	5-gallon Shroud Boot
H15188M	Lower Clamp for 5-gallon Shroud Boot
H15190M	Upper Clamp for 5 or 15-gallon Shroud Boot
SIP-6	6" Sump Inspection Port Sight Glass
SLPK	Gasket and Sealant Kit for Shroud
205181	Lower Clamp for 5 Gallon Shroud
205183	Upper Clamp for 5 Gallon Shroud

Listings and Certifications

Florida EQ-145 NY Approval



NOTE: Part numbers do not include rings or covers. Rings and Covers must be ordered separately.



Bolt Down Manhole Water Shroud System Option

The Bolt Down Multi-Port Water Shroud (MPWS-BD) is designed to mate with the OPW Multi-Port. The MPWS-BD isolates surface water and condensation from Tank Sumps.

Shroud boots isolate the spill container buckets using stainless steel band clamps, providing a tight seal between the water shroud top hat and the underside of the spill container-mounting ring. Bolts on the outer edge of the shroud cover secure it to the top hat. Available in 33" and 39" Diameter Covers.

Ordering Specifications

Part #	Description
Bolt-Down FRP Top Hat Options	
203246	42" x 33" FRP Bolt-Down Top Hat
203272	42" x 39" FRP Bolt-Down Top Hat

Replacement Parts

Part #	Description
C05223M	Shroud Boot Cap to Isolate One FRP Cover Port
D02571M	33" FRP Replacement Cover
D02586M	36" FRP Replacement Cover
D02575M	5-gallon Shroud Boot
H15188M	Lower Clamp for 5-gallon Shroud Boot
H15190M	Upper Clamp for 5 or 15-gallon Shroud Boot
SIP-6	6" Sump Inspection Port Sight Glass
SLPK	Gasket and Sealant Kit for Shroud
205181	Lower Clamp for 5 Gallon Shroud
205183	Upper Clamp for 5 Gallon Shroud

New Ring and Cover Part Numbers

Raintight Covers		Raintight Cover Rings		Sealable Covers		Sealable Cover Rings	
RTC-WHITE		RTR-WHITE		SC-WHITE		SCR-WHITE	
RTC-RED		RTR-RED		SC-RED		SCR-RED	
RTC-YELLOW		RTR-YELLOW		SC-YELLOW		SCR-YELLOW	
RTC-GREEN		RTR-GREEN		SC-ORANGE		SCR-ORANGE	
RTC-ORANGE		RTR-ORANGE		SC-BLACK		SCR-BLACK	
RTC-BLACK		RTR-BLACK		SC-PLAIN			